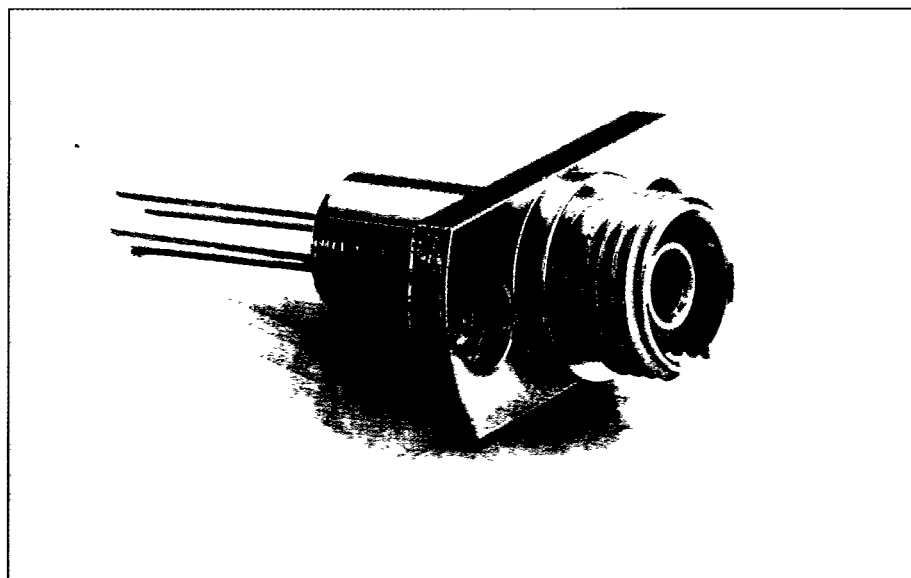


PRELIMINARY

PGT 2110/3R

## Compact Laser transmitter in FC receptacle



### Features

- Output power  $> 100 \mu\text{W}$  in to SM-fiber
- Low cost
- Small package
- PIN monitor detector
- FC/PC connector

**PGT 2110/3R**

T-41-91

**General Information**

The laser module is designed for low cost short and medium haul telecom applications. The laser diode is of InGaAsP/InP type, optimized for wide temperature range operation without

a thermoelectric cooler. The receptacle provides easy connection and possibility for panel mounting.

**Characteristics<sup>1)</sup>**

Parameter	Min	Typ	Max	Units
Output power $I_{th} + 25$ mA	100			$\mu$ W
Threshold current		30	50	mA
Peak wavelength	1290	1310	1330	nm
Spectral width FWHM (CW)		2	5	nm
Rise/Fall time 10%–90% Pout			1	ns
Forward voltage		1.2	1.7	V
Monitor photocurrent at 100 $\mu$ W	50			$\mu$ A
Monitor dark current at –5V			100	nA

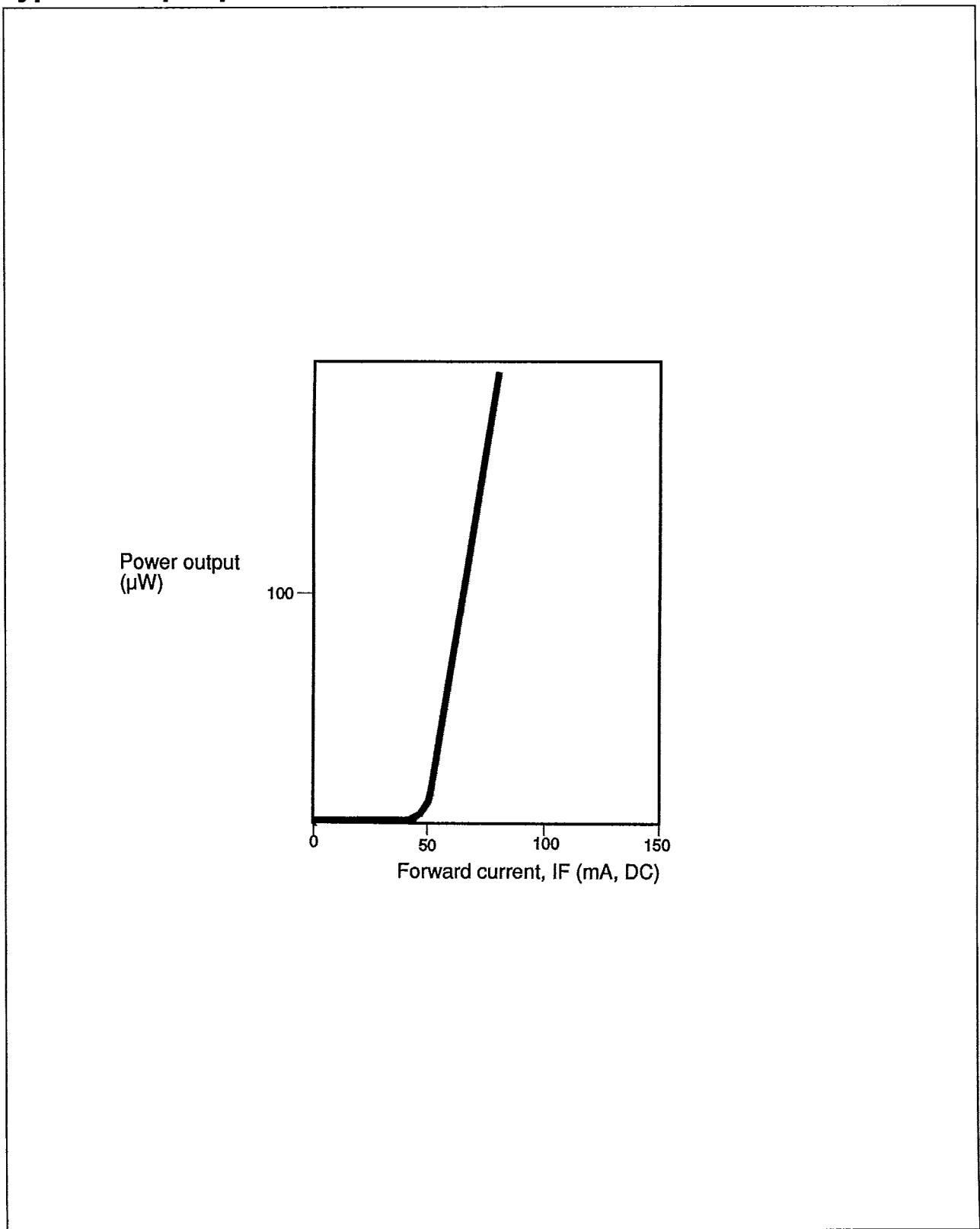
**Absolute maximum ratings**

Laser forward current	150 mA
Laser reverse voltage	2 V
Photodiode reverse voltage	15 V
Operating temperature	0°C to +60°C
Storage temperature	–40°C to +80°C

Note 1. All characteristics at 25°C and 100  $\mu$ W output power unless otherwise stated.

Typical output power versus drive current

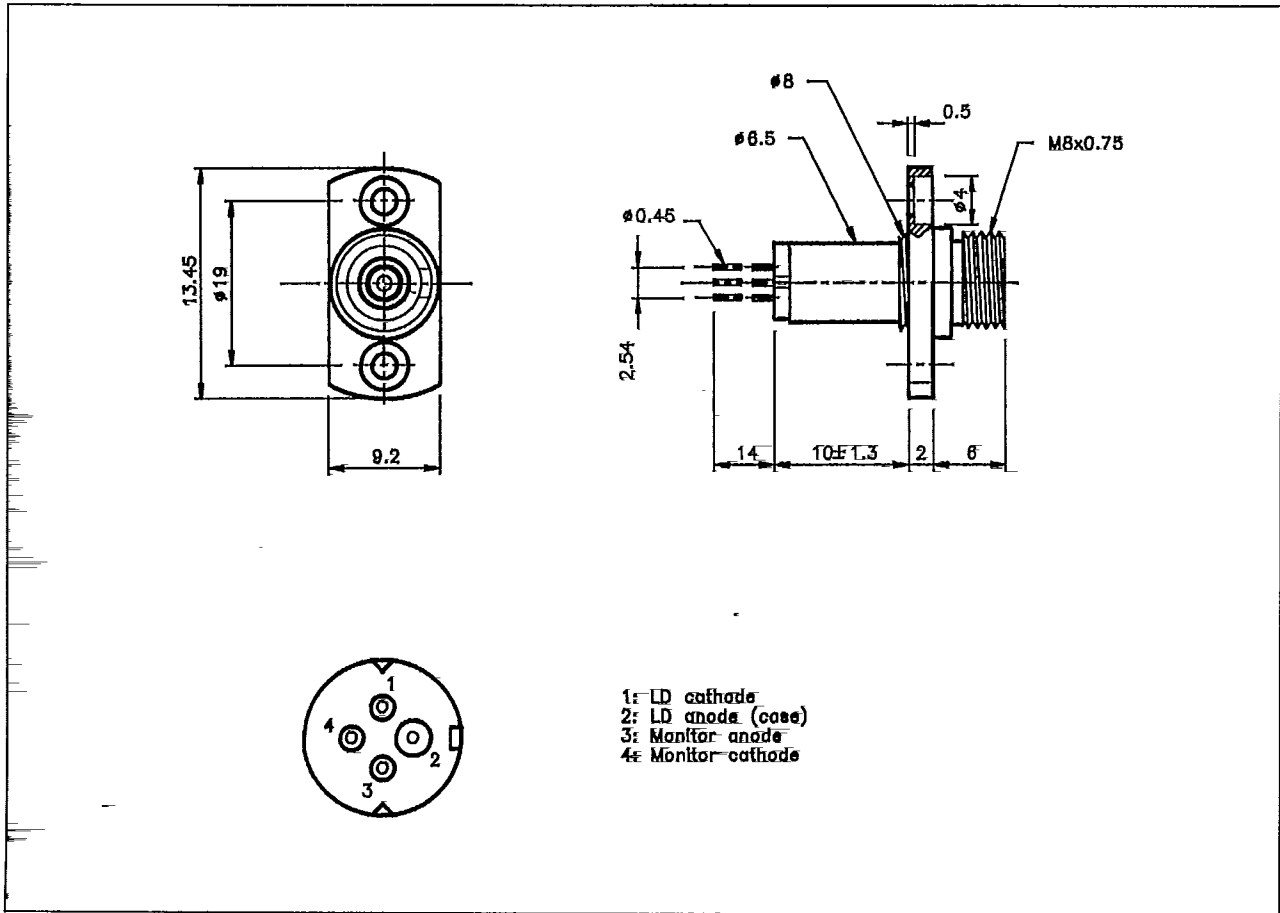
T-41-91



PGT 2110/3R

T-41-91

Outline Drawing



Ordering information

Use complete partcode: PGX XXXX/XXX

T = Transmitter	$\lambda$
R = Receiver	Bitrate
M = Modulator	$\lambda$
S = Switch	$\lambda$
B = Bidirectional WDM	$\lambda$ transmitter

Package:  
 D = DIL  
 F = Flatpack  
 R = Receptacle  
 T = TO  
 M = Modulator-package  
 S = Switch-package  
 C = Custom

Fibertype:  
 S = Singlemode  
 M = Multimode  
 P = Polarization-preserving

Definition of Products

Standard products: In volume production, specification firm  
 Preliminary products: Production being sampled, small changes in specification can occur  
 Advanced products: Products under development, specification likely to change

**Handling Precautions:** Normal handling precautions for electrostatic sensitive devices should be taken

Information given in this data sheet is believed to be accurate and reliable. However no responsibility is assumed for the consequences of its use nor for any infringement of patents or other rights of third parties which may result from its use. No license is granted by implication or otherwise under any patent or patent rights of Ericsson Components AB. These products are sold only according to Ericsson Components AB's general conditions of sale, unless otherwise confirmed in writing.

**ERICSSON**

**Ericsson Components AB**  
 Fiber Optic Products  
 S-164 81 Kista, Sweden  
 Tel. +46 (0)8-757 50 00  
 Telex 8125008 COMEKA S, Telefax +46 (0)8-757 46 21

Y4(89013)A-Ue